

4

3

2

1

THIS DRAWING IS UNPUBLISHED.

RELEASED FOR PUBLICATION

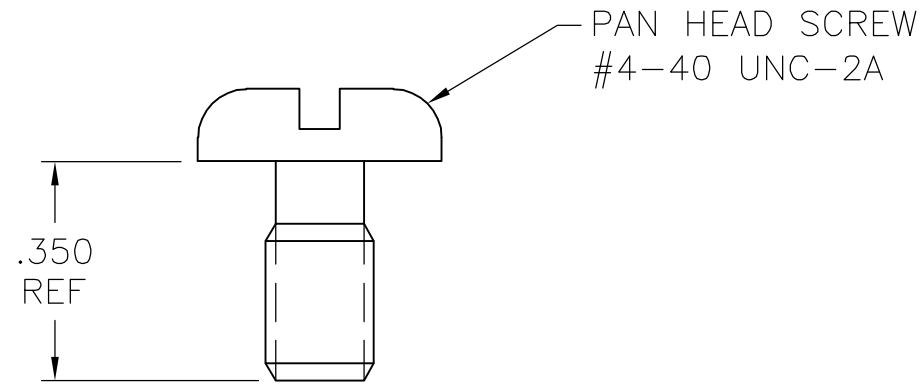
© COPYRIGHT - BY TYCO ELECTRONICS CORPORATION.

ALL RIGHTS RESERVED.

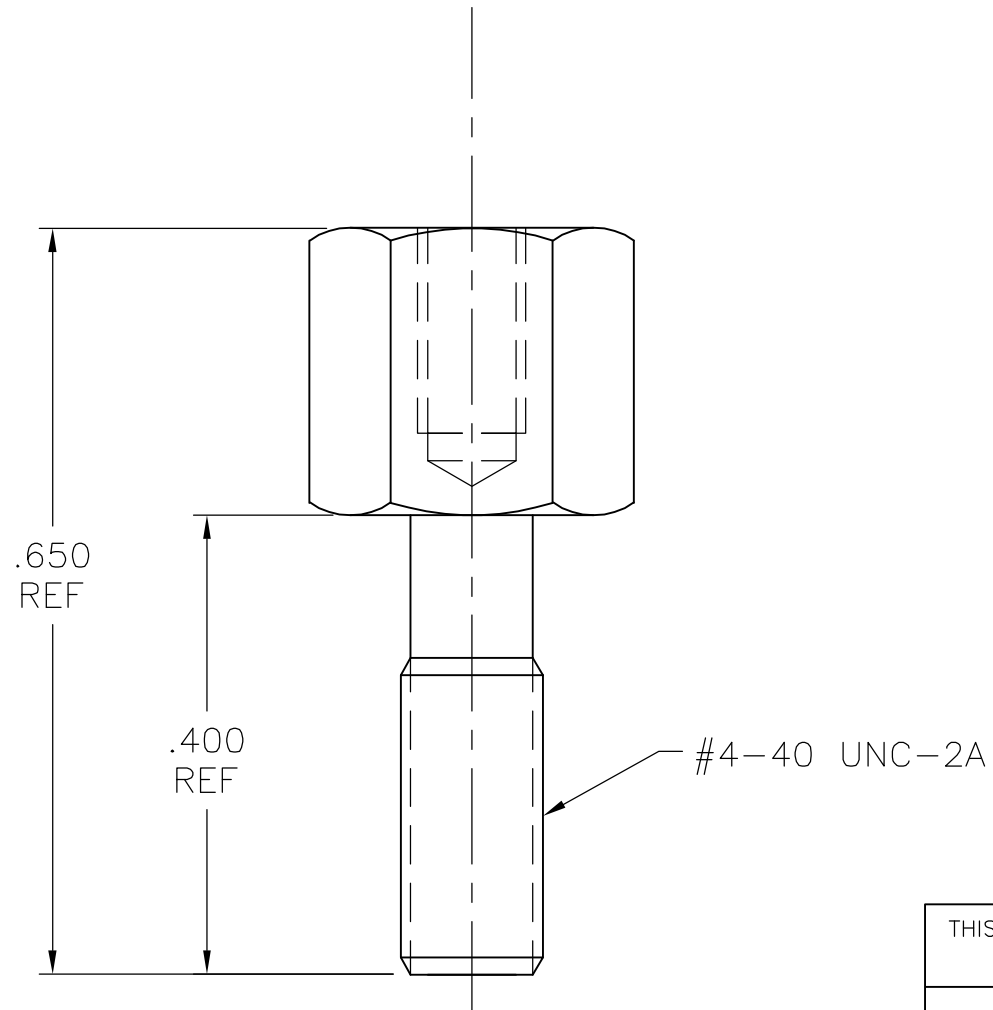
LOC GP DIST 00

REVISIONS

P	LTR	DESCRIPTION	DATE	DWN	APVD
	0	RELEASED PER EC OS13-0288-05	03OCT05	BM	WM



1 MATERIAL:
 PAN HEAD SCREW: ZINC PLATED STEEL.
 MOUNTING SCREW: ZINC PLATE WITH YELLOW TRIVALENT CHROMATE OVER STEEL.



5552631-1
 PART
 NUMBER

THIS DRAWING IS A CONTROLLED DOCUMENT.		DWN B. MCMASTER 03OCT05	Tyco Electronics Corporation Harrisburg, PA 17105-3608	
DIMENSIONS: INCHES		CHK W. MILLHIMES 03OCT05		
		APVD W. MILLHIMES 03OCT05	NAME	
TOLERANCES UNLESS OTHERWISE SPECIFIED:		PRODUCT SPEC	HARDWARE KIT, BACK PANEL MOUNT, SCREW LOCK, CHAMP	
0 PLC ± -		APPLICATION SPEC	SIZE CAGE CODE DRAWING NO RESTRICTED TO	
1 PLC ± -		WEIGHT -	A3 00779 C-5552631 -	
2 PLC ± -		CUSTOMER DRAWING		
3 PLC ± -		SCALE 4:1 SHEET 1 of 1 REV 0		
4 PLC ± -				
ANGLES ± -				
FINISH				
1				